

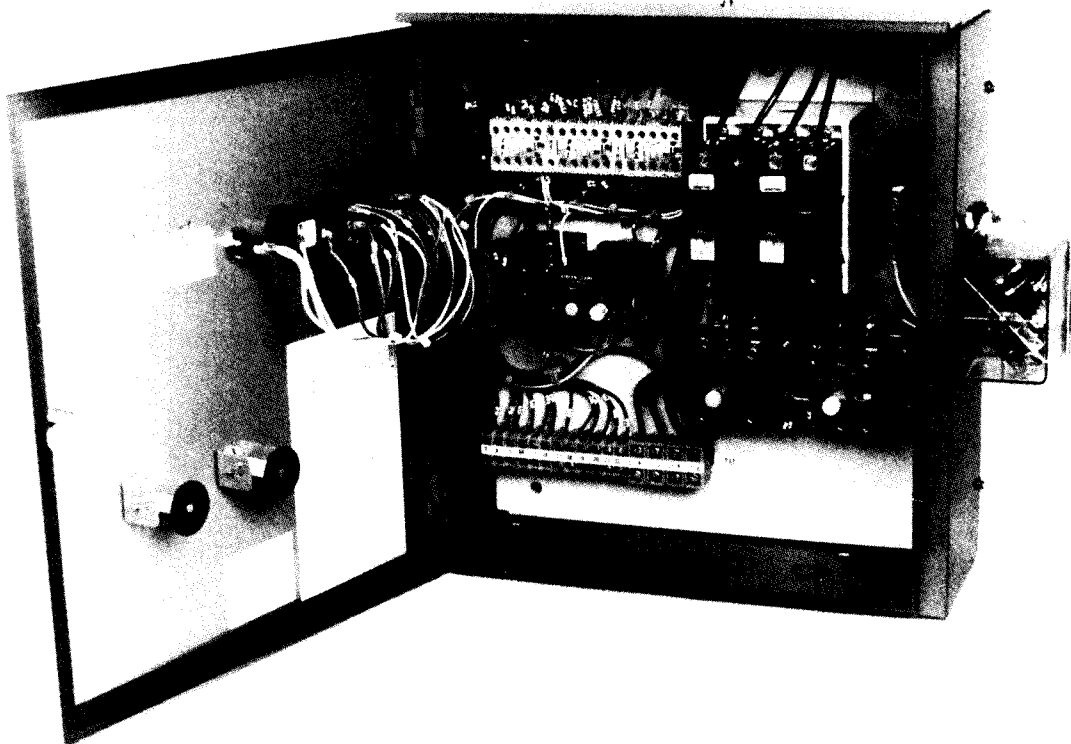
Joslyn Clark

Residential Fire Pump Controller

General

Joslyn Clark residential fire pump controllers are designed to provide reliable fire protection for one and two family dwellings. Single and dual pump control systems are available to provide sprinkler system design flexibility.

The controller provides for both automatic and manual start functions. A built in pressure switch monitors system pressure. When the pressure drops, the motor contactor is energized to start the pump motor. On dual pump systems there is a three second time delay between pump one and pump two. This delay permits motor starting without overloading the electrical supply. Audible and visual signals are provided to indicate that the pumps are running.



Standard Equipment & Performance

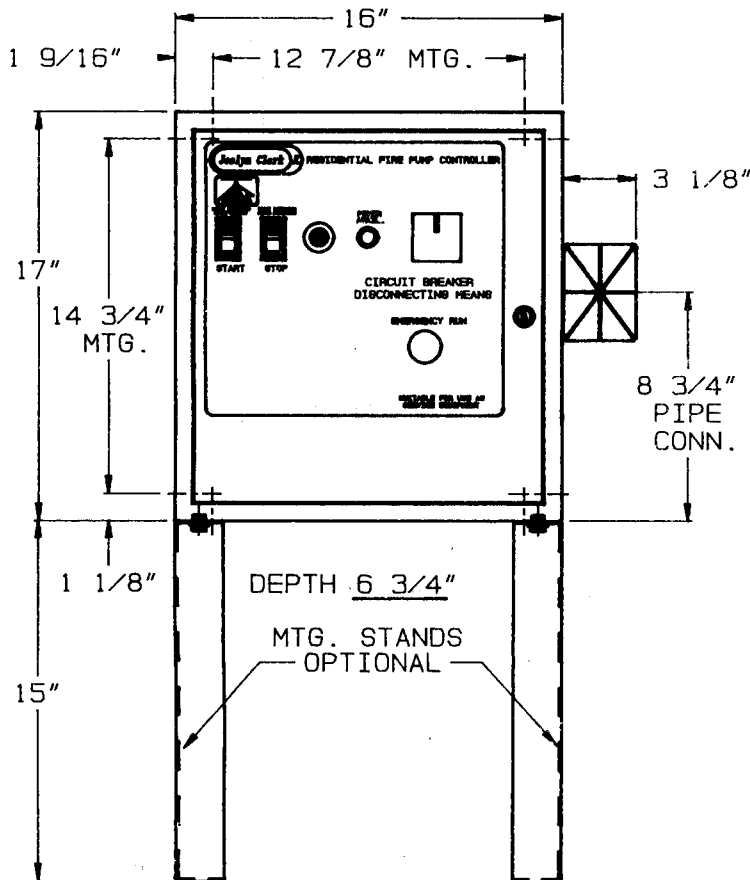
- Automatic start responsive to water pressure.
- Running period timer to prevent short cycling.
- Start & Stop switches for manual control.
- Emergency start buttons for each contactor.
- Circuit breaker provides overcurrent and locked rotor protection.
- Controllers are Suitable for Use as Service Equipment and rated for short circuit interrupt capacity of 10,000 Amp. RMS.
- Contacts for remote alarm of:
 1. Controller in pump running condition.
 2. Loss of line power.
- Fail safe drop out relay circuit.
- Nema 2 drip-proof enclosure with key lock.
- Conforms to all applicable domestic standards.

Catalog Selection

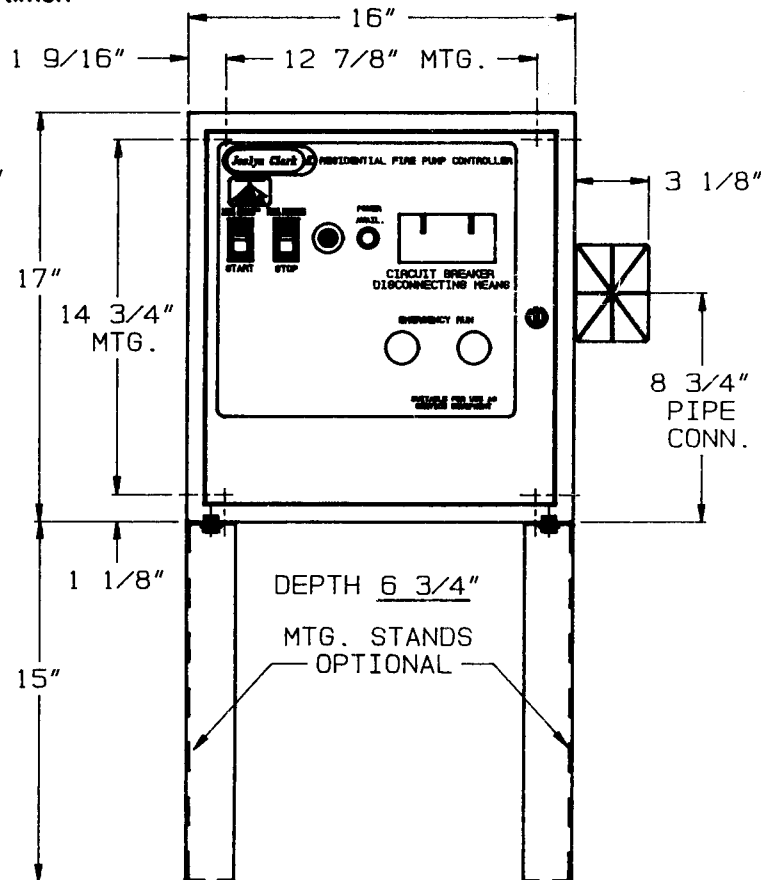
240 Volt Single Phase Residential Fire Pump Controller				
Motor HP	Single Pump System		Dual Pump System	
	Catalog No.	Price	Catalog No.	Price
.5	SFPCA2201	\$1200.00	DFPCA2201	\$1420.00
.75	SFPCB2201	\$1200.00	DFPCB2201	\$1420.00
1	SFPC2201	\$1200.00	DFPC2201	\$1420.00
1.5	SFPCD2201	\$1200.00	DFPCD2201	\$1420.00
2	SFPCE2201	\$1200.00	DFPCE2201	\$1420.00
3	SFPCF2201	\$1200.00	DFPCF2201	\$1420.00
5	SFPCG2201	\$1360.00	DFPCG2201	\$1740.00
7.5	SFPCH2201	\$1440.00	DFPCH2201	\$1900.00

Modifications

- Manual Stop - Omit running period timer - Deduct \$40. Change last digit in catalog number from 1 to 0.
- Floor mounting feet - add \$50.. Change second last digit from 0 to 1.
- Example:
DFPCF2210 is a dual pump system for two 3HP motors with floor mounting feet without running period timer.



SINGLE PUMP



DUAL PUMP

Joslyn Clark Controls, Inc.

P.O. Box 945, Lancaster, South Carolina 29720

Telephone: (803) 286-8491 FAX: (803) 286-0885

Discount
Schedule FA