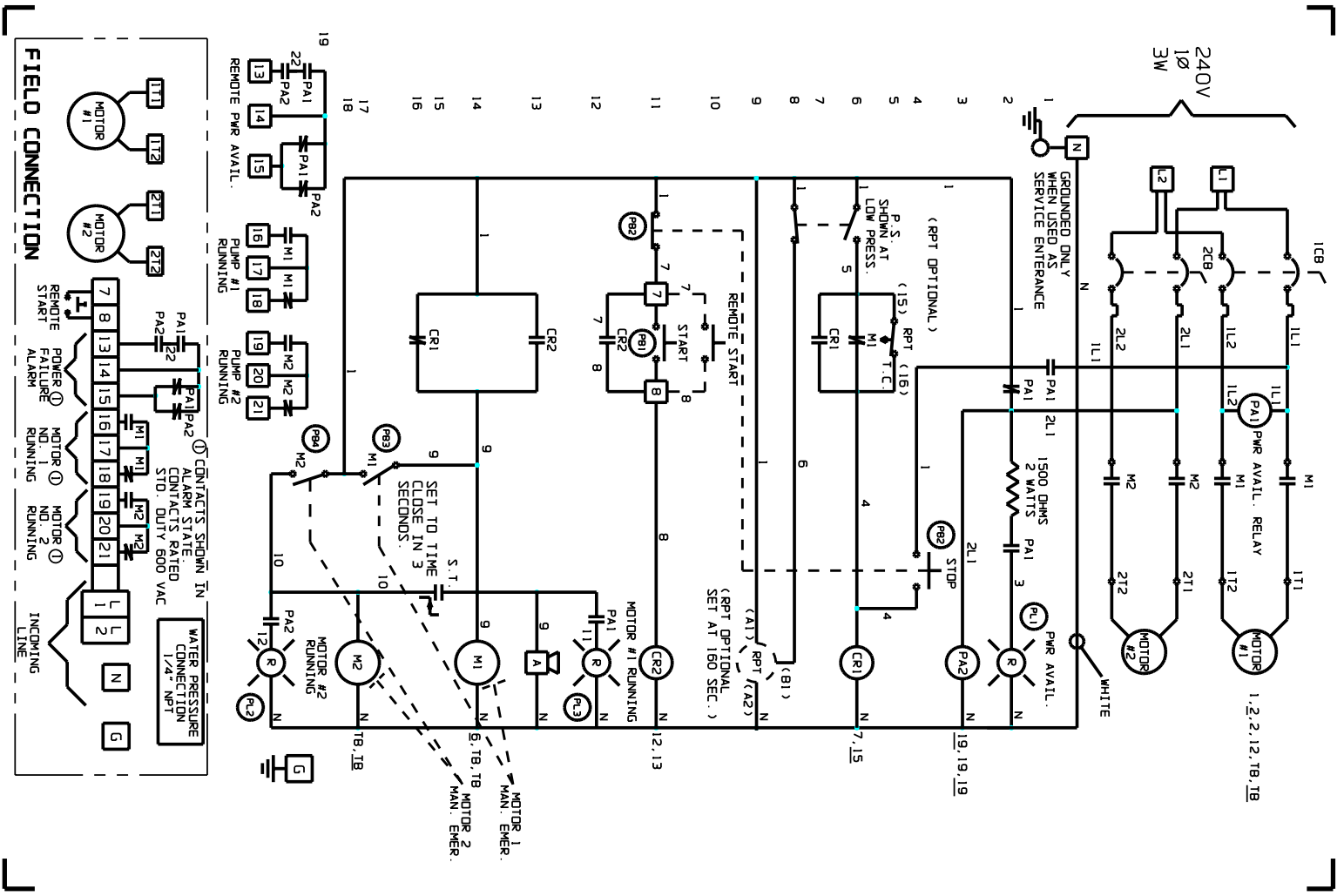


A10-457007-3

REVISIONS	
NEW RELEASE ECN 10306	
ECN 10561 REVISED 8-8-96 R. KOON	
9/30/98 S.L. ADD GROUND SYMBOL PER ECN 12238	
7/15/99 S.L. REV. THE RPT PER ECN 12287	



TITLE BUL. 10664 RFPC DUPLEX SCHEMATIC
 MADE BY B. BANKS APP'D BY EFK DATE 5-14-96

JOSLYN CLARK CONTROLS, INC.
 LANCASTER, S.C. 29721-0945
 PLOT FCT'R: 1/1
 FILE: 457007-3

A10-457007-3
 SHEET 1 OF 1 SHEETS